

High Speed Data Networks

SIAMnet™



ETHERNET NETWORKS FOR AUTOMATION AND BUSINESS APPLICATIONS

HIGHLIGHTS

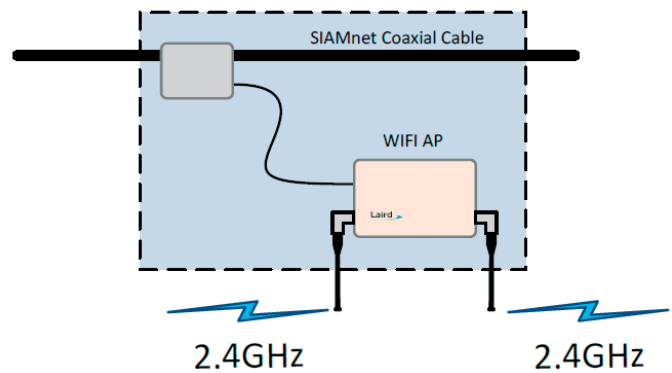
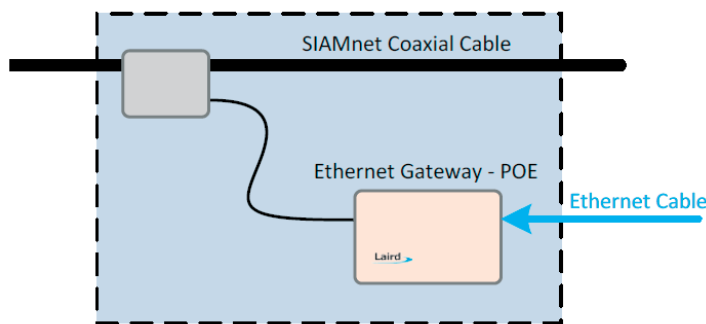
- Based on the CATV Data Over Cable (DOCSIS) standard
 - Proven technology which provides broadband Internet services to millions of homes worldwide
 - Eliminate the need for a separate data communication infrastructure
 - May be used as a backup to a Fiber Optic Network
-

FEATURES

- Compatible with all DOCSIS compliant products and manufacturers
 - Supports five independent DOCSIS 2.0 Ethernet networks of 25 Mbps each
 - Networks may be bonded together using DOCSIS 3.0 compliant devices to create faster networks
 - Independent networks give customers the ability to have a network visible from the Internet while others are physically disconnected from it
 - Networks may be assigned to different administrators or by functions
 - The Ethernet gateway provides power to the connected device
 - The WIFI Access Point supports 2.4GHz or 5GHz devices
-

APPLICATIONS

- WIFI enables people or machinery to communicate wirelessly
 - VOIP: Telephones, Backup emergency communication system, etc.
 - Video surveillance, Cameras in strategic locations, real-time video or on demand, etc.
 - Internet, Business related web sites
 - Smartphones, Social medias using the WIFI infrastructure at specific locations
 - Enables Mining automation technologies such as: Process Control, Remote Blasting, Ventilation on Demand, Personnel and Vehicle Tracking, etc.
-



SPECIFICATIONS

MECHANICAL	
Dimensions	12" x 9" x 6" (305 x 229 x 152 mm)
Weight	8 lbs/3.6Kg (Supported by messenger cable or Mesh)
Temperature	-40 to +60°C

ELECTRIC	
Electrical power	40-90 VAC, 18 W
RF power	55 dBmv
Cable modem sensitivity	-15 to +15 dBmv
Impedance	75 Ohm
Operating band	5-42 MHz US 150-300 MHz DS
Channel bandwidth	6.4 MHz
Termination	F female
Interface ports	100BaseT - POE ports facilitates the use of IP phones and cameras
Throughput	30 Mbps
WIFI (ubiquiti)	802.11 n 2X2MIMO Configurable as Hotspot, Point to Point, Point to MultiPoint and Mesh

USA: +1.234.806.0018
Systems-US-Sales@lairdtech.com

Europe: +49.2151.4795.0
Systems-EU-Sales@lairdtech.com

Asia: +86.21.3120.0188
Systems-CN-Sales@lairdtech.com

Latin America: +55.19.3518.7030
Systems-BR-Sales@lairdtech.com

www.lairdcontrols.com/controls

HIGH SPEED DATA NETWORKS_DS_EN_201811

Any information furnished by Laird Limited, its subsidiary companies and its agents (hereafter, "Laird") is believed to be accurate and reliable. All specifications are subject to change without notice. Responsibility for the use and application of Laird materials rests with the end user, since Laird and its agents cannot be aware of all potential uses. Laird makes no warranties as to the fitness, merchantability or suitability of any Laird materials or products for any specific or general uses. Laird disclaims liability for incidental or consequential damages of any kind. All Laird products are sold pursuant to the Laird Terms and Conditions of sale in effect at the time of sale. A current copy of the Laird Terms and Conditions will be furnished upon request. This document is © Copyright 2018, Laird, all rights reserved. Laird, Laird Technologies, the Laird Logo, and other marks are trademarks of Laird. Other product or service names may be the property of third parties. Nothing herein provides a license under any Laird or any third party intellectual property rights.